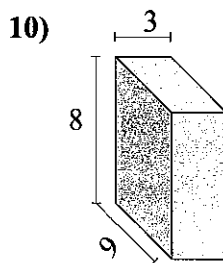
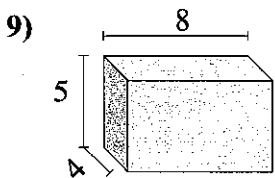
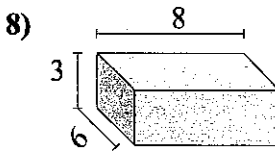
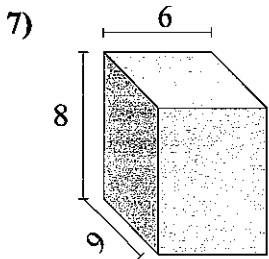
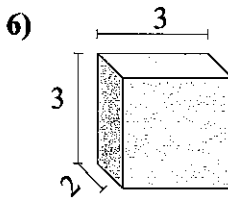
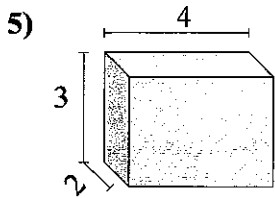
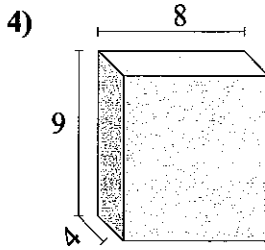
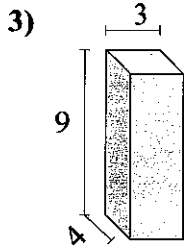
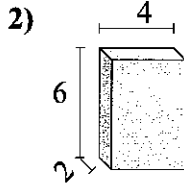
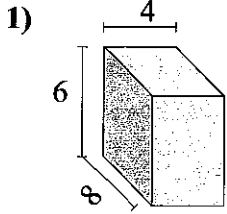




Find the volume of each of the rectangular prisms. Measured in cm (not to scale).

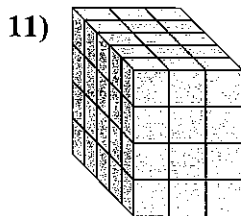
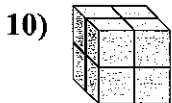
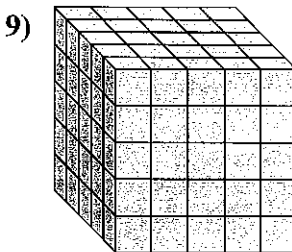
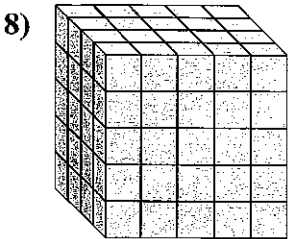
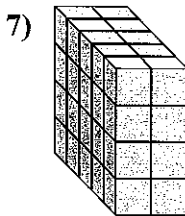
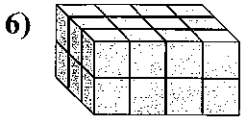
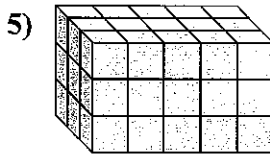
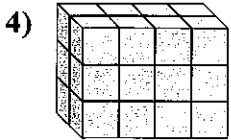
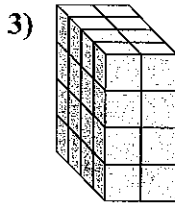
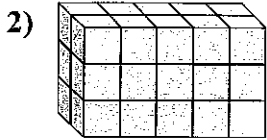
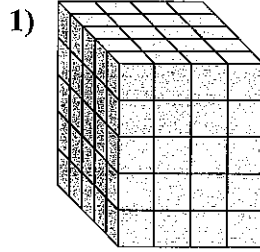
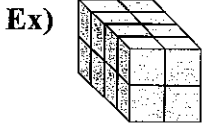


Answers

- 1. _____
- 2. _____
- 3. _____
- 4. _____
- 5. _____
- 6. _____
- 7. _____
- 8. _____
- 9. _____
- 10. _____



Find the length, width and height of the rectangular prism. Then find the volume.



Answers

	L	W	H	V
Ex.	4	2	2	16

1. _____

2. _____

3. _____

4. _____

5. _____

6. _____

7. _____

8. _____

9. _____

10. _____

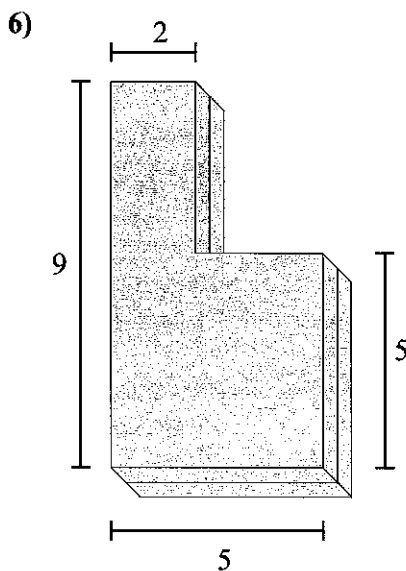
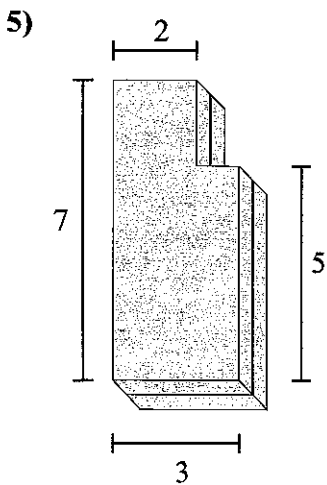
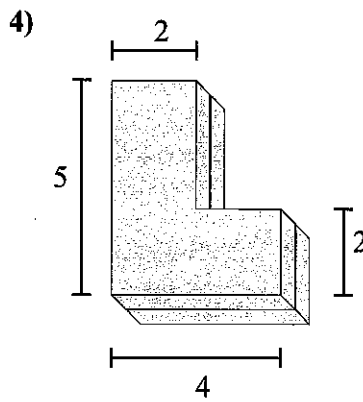
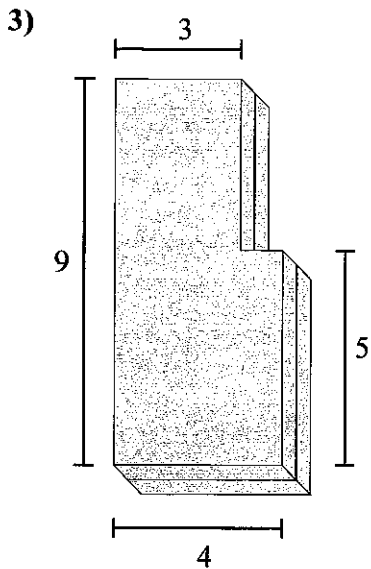
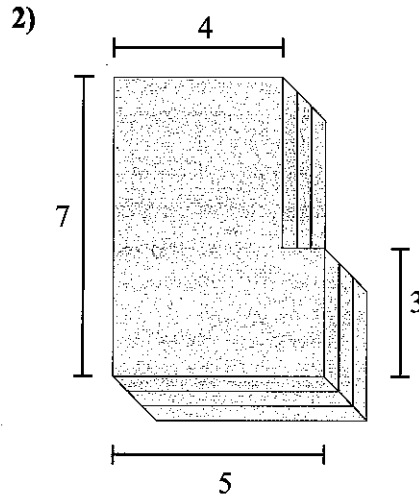
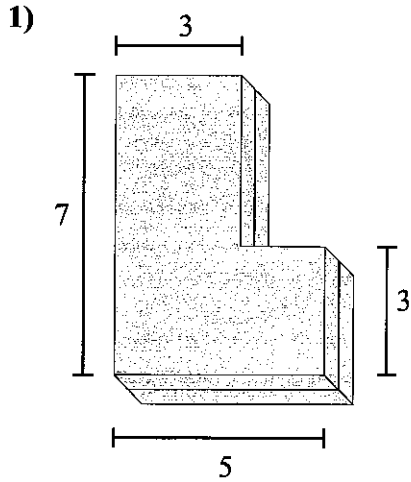
11. _____



Finding Total Volume

Name: _____

Find the total volume of each figure shown. Measured in cm (not to scale).



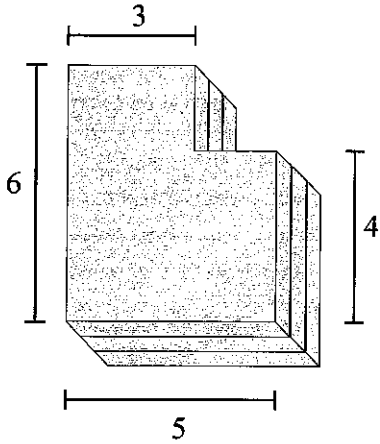
Answers

1. _____
2. _____
3. _____
4. _____
5. _____
6. _____

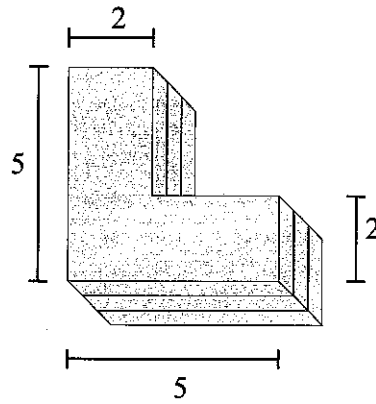


Find the total volume of each figure shown. Measured in cm (not to scale).

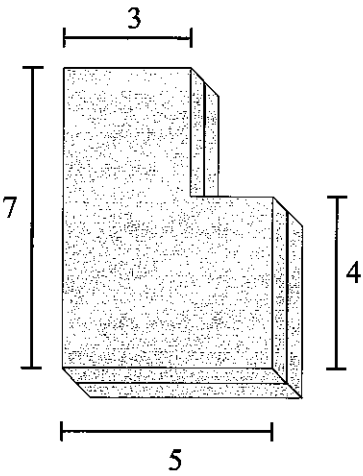
1)



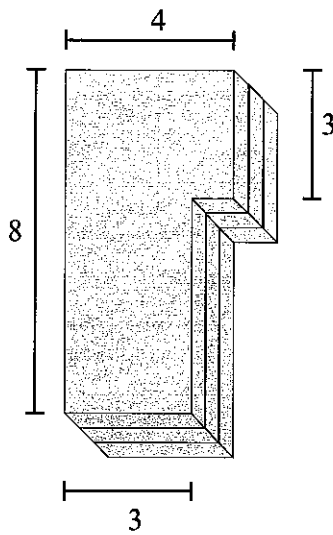
2)



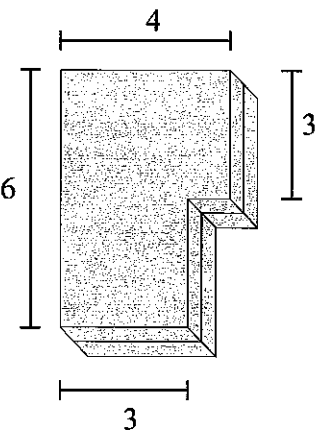
3)



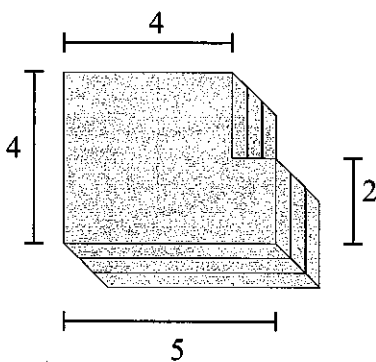
4)



5)



6)



Answers

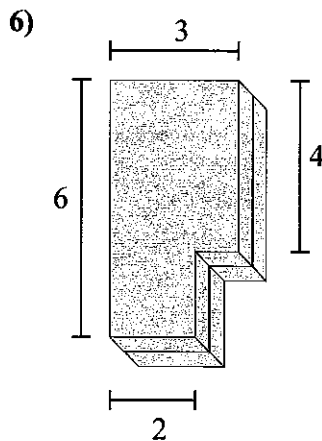
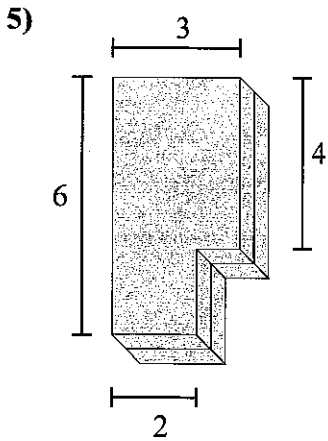
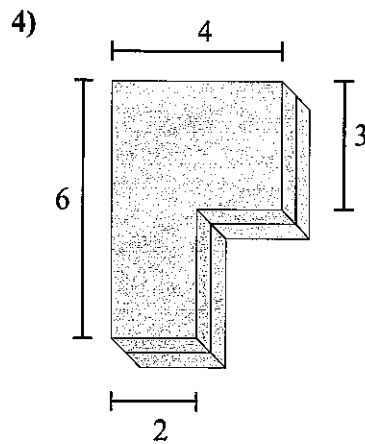
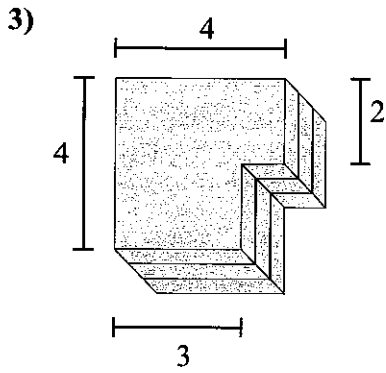
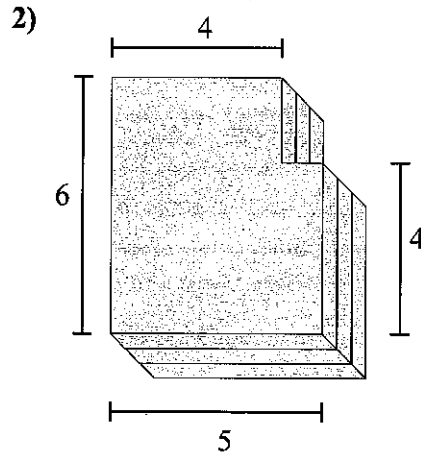
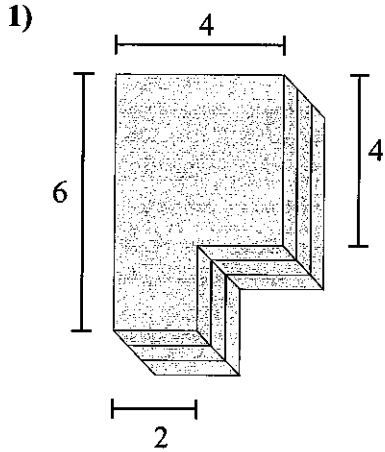
1. _____
2. _____
3. _____
4. _____
5. _____
6. _____



Finding Total Volume

Name: _____

Find the total volume of each figure shown. Measured in cm (not to scale).



Answers

1. _____
2. _____
3. _____
4. _____
5. _____
6. _____